

# TECHNICAL MANUAL



## **EASyS Modular S Pediatric Wheelchair**

- Models (seating system and chassis)
- Accessories for EASyS Modular S
- Accessories for A chassis Advantage and Q chassis

## EASyS Modular S ...

... is a pediatric wheelchair with short back and multidimensional adjustable headrest for children.

You can find further information about Advantage on the Internet: [www.thomashilfen.com](http://www.thomashilfen.com) or [www.thomashilfen.us](http://www.thomashilfen.us)

<b>Content</b>	<b>page</b>
MODELS	
EASyS Modular S seating system – size 1 and 2 . . . . .	3
A chassis Advantage – size 1 and 2 . . . . .	4
Q chassis. . . . .	4
MODELS standard features optional	
Upholstery set . . . . .	5
Headrest, shell . . . . .	6
Headrest, neck support . . . . .	6
Headrest, adjustable . . . . .	6
Headrest fitting . . . . .	6
ACCESSORIES for EASyS Modular S seating system	
Foot straps . . . . .	7
Calf strap . . . . .	7
Footrest-tube upholstery . . . . .	7
Abduction block . . . . .	7
Grip rail . . . . .	8
Grip rail, strong curved . . . . .	8
Lateral trunk support with chest belt . . . . .	8
Lateral trunk support . . . . .	8
Tray . . . . .	9
Frame padding . . . . .	9
2-point pelvic belt with front pull . . . . .	10
4-point pelvic belt with front pull . . . . .	10
Crotch strap . . . . .	10
Soft pelvic harness . . . . .	10
Butterfly/chest harness . . . . .	11
Butterflychest harness, flexible . . . . .	11
Seat waistcoat . . . . .	11
H-belt, padded . . . . .	11
Sun and rain cover with leg blanket . . . . .	12
Sun and rain cover . . . . .	12
Rain shield for sun and rain cover . . . . .	12
Transparent cover with leg blanket . . . . .	13
Sleeping bag (padded + woven fur) . . . . .	13
Umbrella . . . . .	13
ACCESSORIES for A chassis Advantage	
Vent tray . . . . .	14
Pneumatic wheels . . . . .	14
Tip assist . . . . .	14
Transit tie down system . . . . .	14
ACCESSORIES for Q chassis	
Adapter . . . . .	15
Push bar . . . . .	15



Modular S seating system	size 1	size 2
<b>Item code</b>	<b>6208/1</b>	<b>6408/1</b>
<b>Seat depth</b>	19 - 30 cm 7.5 - 11.8"	27 - 38 cm 10.6 - 15"
<b>Seat width</b>	19 - 26 cm 7.5 - 10.2"	27 - 35 cm 10.8 - 13.8"
<b>Back height</b>	28 - 42 cm 11 - 16.5"	34 - 53 cm 13.4 - 20.9"
<b>Lower leg length</b>	18.5 - 30.5 cm 7.3 - 12"	18.5 - 37 cm 7.3 - 14.6"
<b>Hip angle</b>	90° - 140°	90° - 140°
<b>Knee angle</b>	90° - 180°	90° - 180°
<b>Foot angle</b>	78° - 100°	78° - 100°
<b>Turning range of seat</b>	180°	180°
<b>Seat tilt-in-space</b> in driving direction (on A chassis Advantage)	-10° to +35°	-10° to +35°
<b>Seat tilt-in-space</b> face-to-face (on A chassis Advantage)	0° to +35°	0° to +35°
<b>Size of hip guide</b> (w x h)	23 x 12 cm 9.1 x 4.7"	29 x 11 cm 11.4 x 4.3"
<b>Size of footrest</b> (w x d)	28 x 18 cm 11 x 7.1"	32 x 21 cm 12.6 x 8.3"
<b>Weight</b> (seat)	8.8 kg / 19.8 lb	11 kg / 24.3 lb
<b>Max. user weight</b> (seat)	35 kg / 77.2 lb	40 kg / 88.2 lb
<b>Material</b>	upholstery: PES fabrics, 3-mesh- air-comfort-interlaced yarns (AGW) seat: aluminium tubular frame, plastic assembly units	

## Standard features

physiological pivots for the hip and knee joints; headrest options (selectable); breathable seat and back upholstery as well as side padding (selectable); additional foam pads for more sitting comfort; fire retardant fabrics; lateral body guides; tiltable footrest, height and angle adjustable; brackets for sun and rain cover; continuously adjustable back height, hip angle, seat depth and seat width; easily accessible adjustments without any tools needed

# CHASSIS



A chassis Advantage	size 1	size 2
<b>Item code</b> (swivel front wheels)	<b>6201/3</b>	<b>6401/3</b>
<b>Item code</b> (fixed front wheels)	<b>6200/3</b>	<b>6400/3</b>
<b>Seat tilt-in-space</b> in driving direction	-10° to +35°	-10° to +35°
<b>Seat tilt-in-space</b> face-to-face	0° to +35°	0° to +35°
<b>Turning range of seat</b>	180°	180° / 18.1"
<b>Seat height</b> with seat unit	47 cm / 18.5"	46 cm / 18.1"
<b>Push bar height</b>	71,5 - 117 cm / 28.1 - 46.1"	71,5 - 117 cm / 28.1 - 46.1"
<b>Turning circle</b>	83 cm / 32.7"	99 cm / 32.7"
<b>Overall dimensions</b> (l x w x h) only A chassis Advantage	99.5 x 59,5 x 96 cm 39.2 x 23.4 x 37.8"	107 x 69 x 108 cm 42.1 x 27.2 x 42.5"
<b>Folded dimensions</b> (l x w x h) only A chassis Advantage	81 x 59,5 x 38 cm 31.9 x 23.4 x 15"	81 x 69 x 38 cm 31.9 x 27.2 x 15"
<b>Overall dimensions</b> (l x w x h) with seat unit EASyS Modular S	99.5 x 59,5 x 114 cm 39.2 x 23.4 x 44.9"	107 x 69 x 120 cm 42.1 x 27.2 x 47.2"
<b>Folded dimensions</b> (l x w x h) with seat unit EASyS Modular S	85 x 59,5 x 60 cm 33.5 x 23.4 x 23.6"	81 x 69 x 69 cm 31.9 x 27.2 x 27.2"
<b>Wheel size swivel wheels</b> (front)	18 cm / 7.1"	18 cm / 7.1"
<b>Wheel size</b> (rear)	25 cm / 9.8"	25 cm / 9.8"
<b>Weight</b> (without seat unit)	9.8 kg / 21.6 lb	10.9 kg / 24 lb
<b>Max. load capacity</b> basket	5 kg / 11 lb	5 kg / 11 lb
<b>Max. load capacity</b> (incl. seat unit)	50 kg / 110.2 lb	55 kg / 121.3 lb
<b>Material</b>	aluminium tubular frame, powder-coated, rim: PP (polypropylene); tires: composition rubber	

## Standard features

**Chassis:** lightweight and stable aluminum chassis, foldable; adjustment of seat angle inclination as well as seat assembling and disassembling by central lever; included spring in rear frame; height adjustable push bar with biocompatible soft grip; foot brake; no-flat EVA-wheels; fixed front wheels or swivel front wheels incl. swivel lock; removable basket

**Seat unit:** see page 3

Q chassis	size 1	size 2
<b>Item code chassis</b>	<b>6666/6</b>	<b>6666/6</b>
<b>Seat tilt-in-space</b>	-7° to +31°	-7° to +31°
<b>Seat height</b> with seat unit	29 - 69 cm / 11.4 - 27.2"	29 - 69 cm / 11.4 - 27.2"
<b>Adapter height</b>	21 - 60 cm / 8.3 - 23.6"	21 - 60 cm / 8.3 - 23.6"
<b>Size of swivel wheels</b> (front)	100 mm / 3.9"	100 mm / 3.9"
<b>Size of swivel wheels</b> (rear with brake)	100 mm / 3.9"	100 mm / 3.9"
<b>Total dimensions</b> (only Q chassis) (l x w x h)	76 x 54 x 25 - 62 cm / 29.9 x 21.3 x 9.8 - 24.4"	76 x 54 x 25 - 62 cm / 29.9 x 21.3 x 9.8 - 24.4"
<b>Weight</b> (without seat unit)	13.5 kg / 29.8 lb	13.5 kg / 29.8 lb
<b>Max. load capacity</b>	50 kg / 110.2 lb	50 kg / 110.2 lb
<b>Material</b>	aluminium tubular frame, powder-coated, PU castors	

## Standard features

**Chassis:** comfortable indoor chassis, easy height and seat tilting by gas pressure spring (foot pressure release), 4 swivel castors, 2 of them lockable (rear)

**Seat unit:** see page 3

# UPHOLSTERY optional basic configuration



Upholstery set	size 1	size 2
Item code	6242	6442
Color	red	red



Upholstery set	size 1	size 2
Item code	6243	6443
Color	blue	blue



Upholstery set	size 1	size 2
Item code	6244	6444
Color	green	green



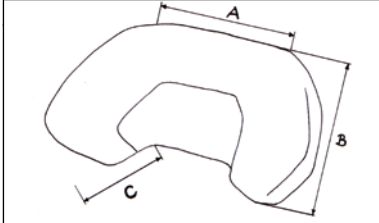
Upholstery set	size 1	size 2
Item code	6241	6441
Color	magenta	magenta



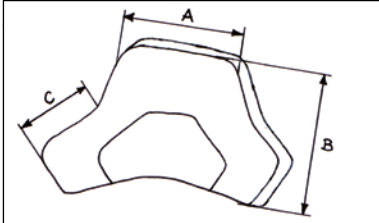
Upholstery set	size 1	size 2
Item code	6240	6440
Color	gray	gray

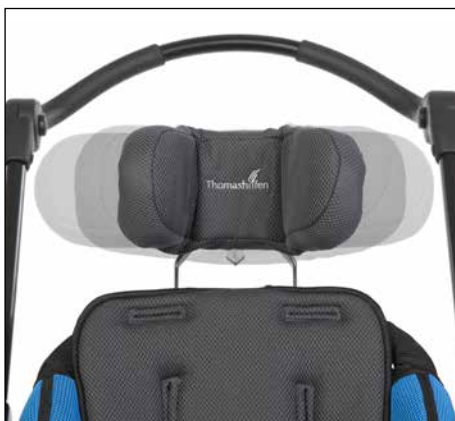
# HEADREST optional basic configuration



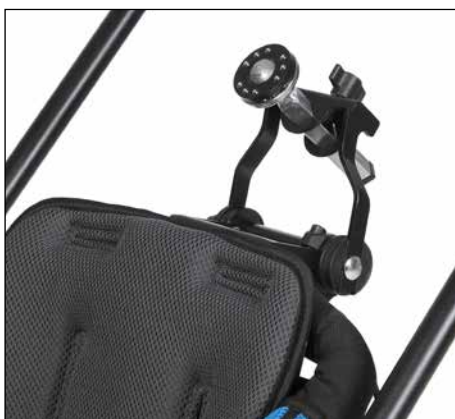
Headrest, shell	size 1	size 2
<b>Item code</b>	<b>6261/1</b>	<b>6261/1</b>
<b>Height headrest</b> (from upper edge of seat unit)	14 - 22 cm 5.5 - 8.7"	14 - 22 cm 5.5 - 8.7"
<b>Depth adjustment</b> (forward / backward)	+ 14 cm / - 4 cm + 5.5" / - 1.6"	+ 14 cm / - 4 cm + 5.5" / - 1.6"
		
<b>A</b>	16 cm / 6.3"	
<b>B</b>	15,5 cm / 6.1"	
<b>C</b>	13,5 cm / 5.3"	



Headrest, neck support	size 1	size 2
<b>Item code</b>	<b>6262/1</b>	<b>6262/1</b>
<b>Height headrest</b> (from upper edge of seat unit)	14 - 31 cm 5.5 - 12.2"	14 - 31 cm 5.5 - 12.2"
<b>Depth adjustment</b> (forward / backward)	+ 14 cm / - 6 cm + 5.5" / - 2.4"	+ 14 cm / - 6 cm + 5.5" / - 2.4"
		
<b>A</b>	12 cm / 4.7"	
<b>B</b>	14 cm / 5.5"	
<b>C</b>	9 cm / 3.5"	



Headrest, adjustable	size 1	size 2
<b>Item code</b>	<b>6267</b>	<b>6267</b>
<b>Height</b>	11 cm / 4.3"	11 cm / 4.3"
<b>Width</b> (ausgeklappt, gesamt)	37 cm / 14.6"	37 cm / 14.6"
<b>Width</b> (Mittelteil)	13 cm / 5.1"	13 cm / 5.1"
<b>Width</b> (je Seitenteil)	12 cm / 4.7"	12 cm / 4.7"
<b>Note</b>	not approved for use as a seat in motor vehicles	



Headrest fitting	size 1	size 2
<b>Item code</b>	<b>6868</b>	<b>6868</b>
<b>Note</b>	square bar with ball joint (for custom-made solutions)	





Foot straps	size 1	size 2
<b>Item code</b>	<b>6648/2</b>	<b>6648/2</b>
<b>Belt length</b>	87 cm / 34.3"	87 cm / 34.3"
<b>Color</b>	black	black



Calf strap	size 1	size 2
<b>Item code</b>	<b>6635/5</b>	<b>standard feature</b>
<b>Size (w x h)</b>	29 x 10 x 1 cm 11.4 x 3.9 x 0.4"	–
<b>Color</b>	black	black



Footrest-tube upholstery	size 1	size 2
<b>Item code</b>	<b>6230</b>	<b>6230</b>
<b>Size (w x h)</b>	7 x 15 cm / 2.8 x 5.9"	7 x 15 cm / 2.8 x 5.9"
<b>Color</b>	gray	gray



Abduction block	size 1	size 2
<b>Item code</b>	<b>6620/6</b>	<b>6720/6</b>
<b>Size (w x h x l)</b>	6 x 9 x 10 cm 2.4 x 3.5 x 3.9"	7 x 10,5 x 11 cm 2.8 x 4.1 x 4.3"
<b>Color</b>	gray	gray

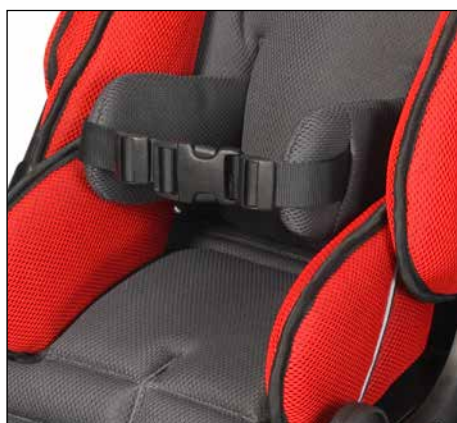
# ACCESSORIES



Grip rail	size 1	size 2
<b>Item code</b>	<b>6621/5</b>	<b>6721/5</b>
<b>Height to seat surface</b>	9 / 11,5 / 14 / 16,5 cm 3.5 / 4.5 / 5.5 / 6.5"	14 / 17 / 19 / 22 cm 5.5 / 6.7 / 7.5 / 8.7"
<b>Width (inside dimension)</b>	34 cm / 13.4"	38 cm / 13.4"
<b>Color</b>	gray	gray



Grip rail, strong curved	size 1
<b>Item code</b>	<b>6621/51</b>
<b>Height to seat surface</b>	10.5 / 13 / 15,5 / 18.5 cm 4.1 / 5.1 / 6.1 / 7.3"
<b>Width (inside dimension)</b>	34 cm / 13.4"
<b>Color</b>	gray



Lateral trunk support, with chest belt	size 1	size 2
<b>Item code</b>	<b>6633/2</b>	<b>6633/2</b>
<b>Supporting surface (h x d)</b>	10 x 20 cm / 3.9 x 7.9"	10 x 20 cm / 3.9 x 7.9"
<b>Color</b>	gray	gray



Lateral trunk support	size 1	size 2
<b>Item code</b>	<b>6634/6</b>	<b>6734/6</b>
<b>Size (h x d)</b>	15 x 13 cm / 5.9 x 5.1"	17 x 15 cm / 6.7 x 5.9"
<b>Color</b>	gray	gray





Tray	size 1	size 2
<b>Item code</b>	<b>6628/1</b>	<b>6728/1</b>
<b>Size (w x d)</b>	56 x 33.2 cm 5.9 x 8.7"	60 x 36.2 cm 23.6 x 14.3"
<b>Height to seat surface</b>	15 - 22 cm / 5.9 - 8.7"	15 - 22 cm / 5.9 - 8.7"
<b>Edge height (inside)</b>	2.5 cm / 1"	2.5 cm / 1"
<b>Angle adjustment</b>	approx. 27°	approx. 27°
<b>Depth adjustment range</b>	16 cm / 6.3"	19 cm / 7.5"
<b>Cut-out (w x d)</b>	41 x 14 cm 16.1 x 5.5"	45,5 x 17,5 cm 17.9 x 6.9"
<b>Material thickness</b>	8 mm / 0.3"	8 mm / 0.3"
<b>Color tray plate</b>	transparent / colorless	transparent / colorless



Frame padding	size 1	size 2
<b>Item code</b>	<b>6622/6</b>	<b>6622/6</b>
<b>Outer dimensions (w x h)</b>	(10 - 15) x 45 cm (3.9 - 5.9) x 17.7"	(10 - 15) x 45 cm (3.9 - 5.9) x 17.7"
<b>Color</b>	black	black

# ACCESSORIES



2-point pelvic belt with front pull	size 1	size 2
<b>Item code</b>	<b>8420/1</b>	<b>8470/1</b>
<b>Size of pad (B x H)</b>	15 x 5 cm / 5.9 x 2"	17 x 5 cm / 6.7 x 2"
<b>Belt length</b>	130 cm / 51.2"	130 cm / 51.2"
<b>Color</b>	black	black



4-point pelvic belt with front pull	size 1	size 2
<b>Item code</b>	<b>8421/1</b>	<b>8471/1</b>
<b>Size of pad (B x H)</b>	15 x 8 cm / 5.9 x 3.1"	17 x 8 cm / 6.7 x 3.1"
<b>Rear belt length</b>	120 cm / 47.2"	120 cm / 47.2"
<b>Front belt length</b>	50 cm / 19.7"	50 cm / 19.7"
<b>Color</b>	black	black



Crotch strap	size 1	size 2
<b>Item code</b>	<b>6341/1</b>	<b>6341/1</b>
<b>Belt length</b>	approx. 18 - 33 cm approx. 7.1 - 13"	approx. 18 - 33 cm approx. 7.1 - 13"
<b>Color</b>	black	black
<b>Note</b>	can only be used in combination with pelvic harnesses	



Soft pelvic harness	size 1	size 2
<b>Item code</b>	<b>6614/6</b>	<b>6714/6</b>
<b>Rear upholstery width</b>	21 cm / 8.3"	26,5 cm / 8.3"
<b>Belt length</b>	45 cm / 17.7"	45 cm / 17.7"
<b>Color</b>	black	black



Butterfly/chest harness	size S	size M	size L
<b>Item code</b>	<b>6616/6</b>	<b>6617/6</b>	<b>6717/6</b>
<b>A</b>	18.5 cm / 7.3"	25 cm / 9.8"	25.5 cm / 10"
<b>B</b>	30 cm / 11.8"	33.5 cm / 13.2"	45 cm / 17.7"
<b>C</b>	16 cm / 6.3"	18.5 cm / 7.3"	23 cm / 9.1"
<b>D</b>	14 cm / 5.5"	17 cm / 6.7"	22 cm / 8.7"
<b>E</b>	11.5 cm / 4.5"	10.5 cm / 4.1"	11.5 cm / 4.5"
<b>F</b>	18 cm / 7.1"	21.5 cm / 8.5"	25 cm / 9.8"



Butterfly/chest harness, flexible	size S	size M
<b>Item code</b>	<b>6385/3</b>	<b>6585/3</b>
<b>A</b>	12 cm / 4.7"	18 cm / 7.1"
<b>B</b>	21 cm / 8.3"	33 cm / 13"
<b>C</b>	11.5 cm / 4.5"	15 cm / 5.9"
<b>D</b>	9.5 cm / 3.7"	18 cm / 7.1"
<b>E</b>	6 cm / 2.4"	10 cm / 3.9"
<b>F</b>	21 cm / 8.3"	27 cm / 10.6"



Seat waistcoat	size S	size M	size L
<b>Item code</b>	<b>6631/6</b>	<b>6632/6</b>	<b>6731/6</b>
<b>Upholstered surface (w x l)</b>	33 x 30 cm 13 x 11.8"	38 x 35 cm 15 x 13.8"	44 x 41 cm 17.3 x 16.1"
<b>Belt length, top</b>	65 cm / 25.6"	65 cm / 25.6"	65 cm / 25.6"
<b>Color</b>	black	black	black



H-belt, padded	size 1	size 2
<b>Item code</b>	<b>6629/7</b>	<b>6629/7</b>
<b>Size Shoulder pads (w x l)</b>	5 x 15 cm / 2 x 5.9"	5 x 15 cm / 2 x 5.9"
<b>Shoulder belt length</b>	60 cm / 23.6"	60 cm / 23.6"
<b>Pelvis belt length</b>	40 cm / 15.7"	40 cm / 15.7"
<b>Color</b>	black	black



# ACCESSORIES



Sun and rain cover with leg blanket	size 1	size 2
<b>Item code</b>	<b>6637/6</b>	<b>6637/6</b>
<b>Hood</b> (w x h, inner dimension)	43 x 51 cm 16.9 x 20.1"	43 x 51 cm 16.9 x 20.1"
<b>Hood pocket</b> (w x h x d)	24 x 28 x 5 cm 9.4 x 11 x 2"	24 x 28 x 5 cm 9.4 x 11 x 2"
<b>Leg blanket</b> (w x l)	43 x 100 cm 16.9 x 39.4"	43 x 100 cm 16.9 x 39.4"
<b>Color</b>	black / light gray	black / light gray
<b>Note</b>	suitable up to max. 71 cm / 28" vertex height	



Sun and rain cover	size 1	size 2
<b>Item code</b>	<b>6637/61</b>	<b>6637/61</b>
<b>Hood</b> (w x h, inner dimension)	43 x 51 cm 16.9 x 20.1"	43 x 51 cm 16.9 x 20.1"
<b>Hood pocket</b> (w x h x d)	24 x 28 x 5 cm 9.4 x 11 x 2"	24 x 28 x 5 cm 9.4 x 11 x 2"
<b>Color</b>	black / light gray	black / light gray
<b>Note</b>	suitable up to max. 71 cm / 28" vertex height	



Rain shield	size 1	size 2
<b>Item code</b>	<b>6739</b>	<b>6739</b>
<b>Hood</b> (w x h, inner dimension)	43 x 51 cm 16.9 x 20.1"	43 x 51 cm 16.9 x 20.1"
<b>Opening</b> (w x h)	33 x 34 cm 13 x 13.4"	33 x 34 cm 13 x 13.4"
<b>Leg blanket</b> (w x l)	60 x 120 cm 23.6 x 47.2"	60 x 120 cm 23.6 x 47.2"
<b>Color</b>	transparent	transparent
<b>Note</b>	can only be used together with sun and rain cover	



Transparent cover with leg blanket	size 1	size 2
<b>Item code</b>	<b>6638/1</b>	<b>6638/1</b>
<b>Hood</b> (w x h, inner dimension)	43 x 51 cm 16.9 x 20.1"	43 x 51 cm 16.9 x 20.1"
<b>Leg blanket</b> (w x l)	43 x 100 cm 16.9 x 39.4"	43 x 100 cm 16.9 x 39.4"
<b>Color</b>	transparent	transparent
<b>Note</b>	suitable up to max. 71 cm / 28" vertex height	



Umbrella	size 1	size 2
<b>Item code</b>	<b>6594</b>	<b>6594</b>
<b>Diameter Ø</b>	65 cm / 25.6"	65 cm / 25.6"
<b>Height</b>	75 cm / 28.3"	75 cm / 28.3"
<b>Color</b>	gray	gray



Sleeping bag, padded	size 1	size 2
<b>Item code</b>	<b>6619/5</b>	<b>6719/5</b>
<b>Bottom part of leg blanket</b> (w x l)	35 x (68 - 80) cm 13.8 x (26.8 - 31.5)"	40 x (90 - 104) cm 15.7 x (35.4 - 40.9)"
<b>Leg blanket</b> (lower leg length)	31 cm / 12.2"	43 cm / 16.9"
<b>Color</b>	black / light gray	black / light gray

Sleeping bag, woven fur	size 1	size 2
<b>Item code</b>	<b>6618/5</b>	<b>6718/5</b>
<b>Bottom part of leg blanket</b> (w x l)	35 x (68 - 80) cm 13.8 x (26.8 - 31.5)"	40 x (90 - 104) cm 15.7 x (35.4 - 40.9)"
<b>Leg blanket</b> (lower leg length)	31 cm / 12.2"	43 cm / 16.9"
<b>Color</b>	black / light gray	black / light gray



# ACCESSORIES – A chassis Advantage



Vent tray	size 1	size 2
<b>Item code</b>	<b>6294/1</b>	<b>6494/1</b>
<b>Size (w x h x l)</b>	38 x 3 x 39 cm 15 x 1.2 x 15.4"	43 x 3 x 39 cm 16.9 x 1.2 x 15.4"



Pneumatic wheels	
<b>Item code</b>	<b>6647/1</b>
<b>Wheel size swivel wheels (front)</b>	7,5"
<b>Wheel size (rear)</b>	10"



Tip assist	
<b>Item code</b>	<b>6750/2</b>
<b>Tread surface (w x l)</b>	4 x 8 cm / 1.6 x 3.1"
<b>Color</b>	anthracite

Transit tie down system	
<b>Item code</b>	<b>E67839/1</b>
<b>Note</b>	For further information please contact us. +49 4761 886-63 or -68

## ACCESSORIES – Q chassis



Adapter	size 1	size 2
<b>Item code</b>	<b>6295/1</b>	<b>6295/1</b>
<b>Note</b>	always required when using Advantage seat unit	



Push bar	size 1	size 2
<b>Item code</b>	<b>6660</b>	<b>6660</b>
<b>Height</b>	52 - 100 cm (angle approx. 90°)	52 - 100 cm (angle approx. 90°)
<b>Adjustment angle</b>	0 - 110°	0 - 110°
<b>Color</b>	black	black



Member of the International  
Support Association for the  
Rehabilitation of Children and Youths e.V.



**For customers worldwide** (except U.S.):

Thomas Hilfen für Körperbehinderte GmbH & Co. Medico KG  
Walkmühlenstraße 1 · 27432 Bremervörde · Germany  
Phone: +49 (0) 4761 886-63 or -68 · Fax: +49 (0) 4761 886-19  
info@thomashilfen.de · www.thomashilfen.com

**For customers in the U.S.:**

ExoMotion LLC, dba Thomashilfen  
7936 Occidental Ave S · Seattle WA 98108 · USA  
Phone: 866 870 2122 (toll free) · Fax: 866.870.0801 (toll free)  
info@thomashilfen.com · www.thomashilfen.us